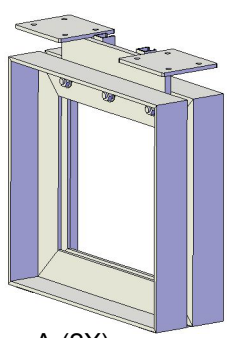


SAIKO WITH RECLAIM TEAK WOOD TOP

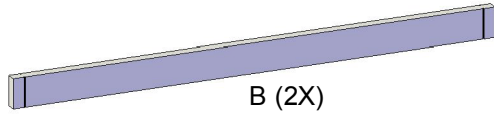
ASSEMBLY INSTRUCTION

Saveri™

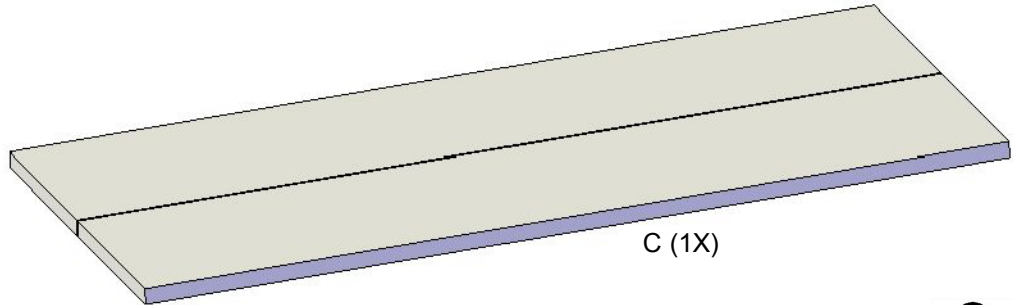
PART LIST



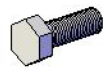
A (2X)



B (2X)



C (1X)



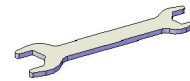
D (16X)



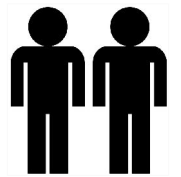
E (16X)



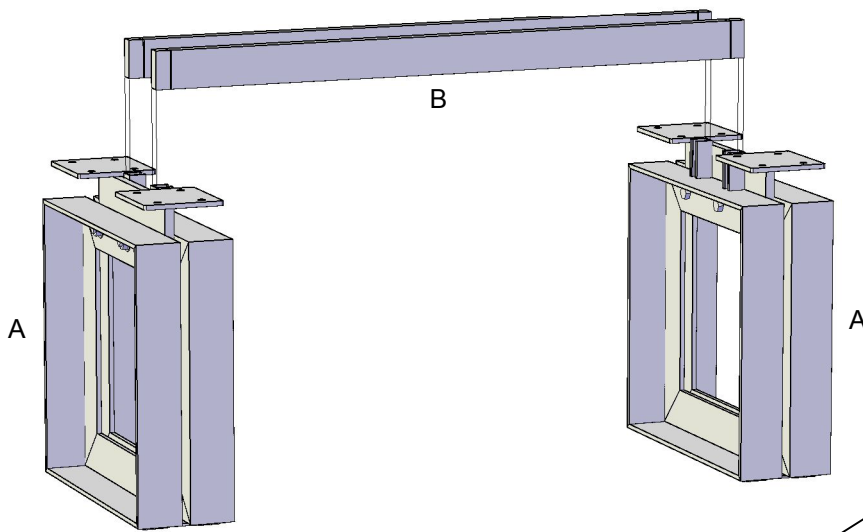
F (16X)



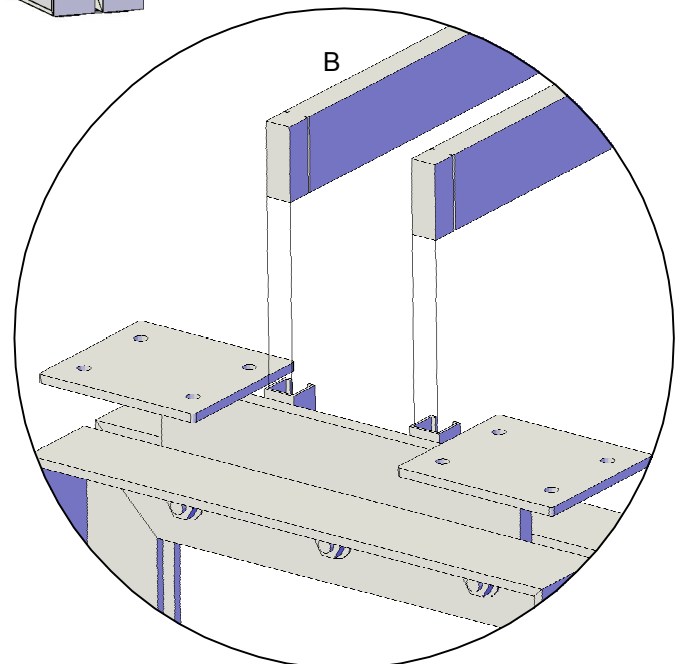
G (1X)



ASSEMBLY



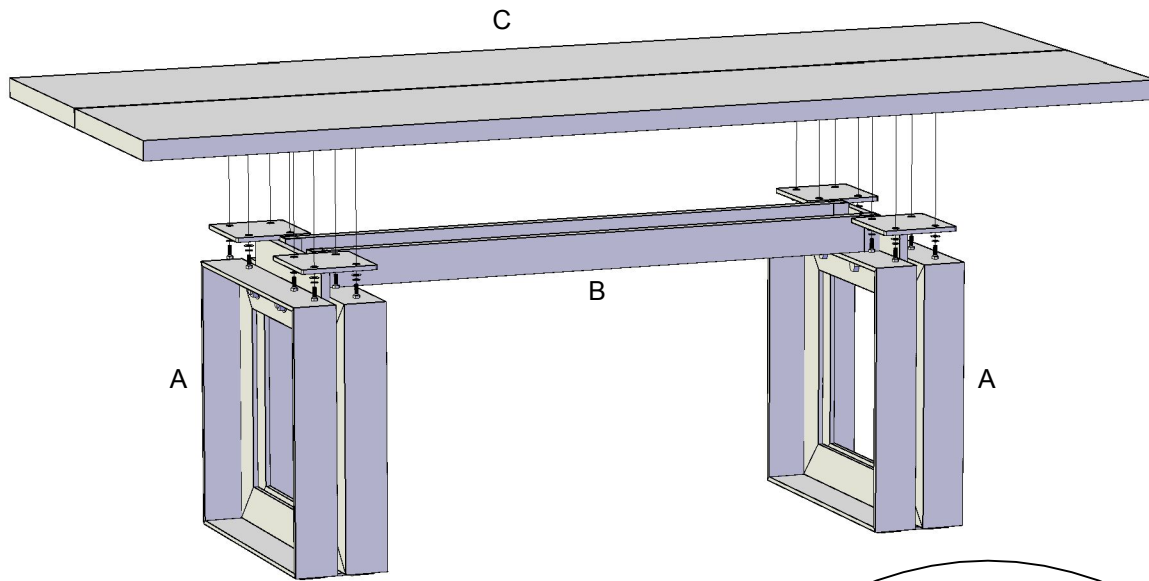
STEP 1



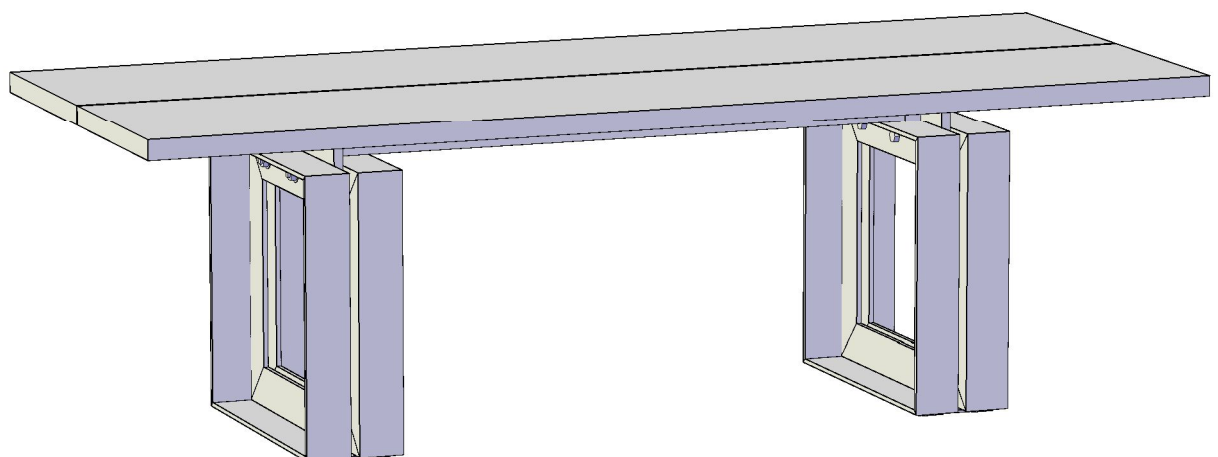
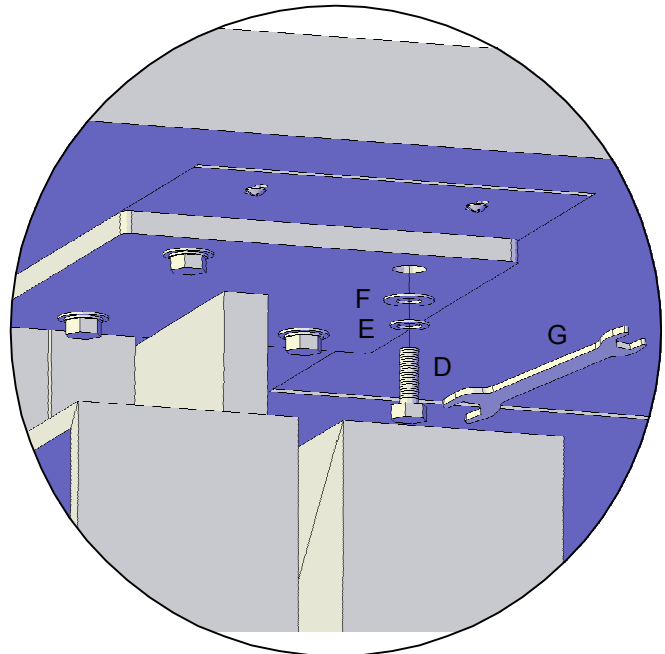
SAIKO WITH RECLAIM TEAK WOOD TOP

ASSEMBLY INSTRUCTION

Saveri™



STEP 2



STEP 3